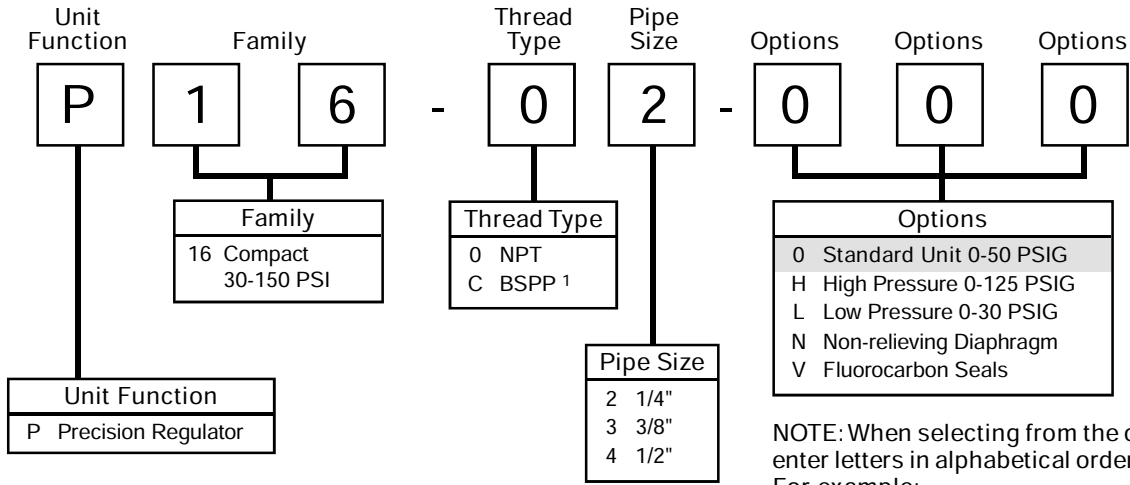


Precision Regulator Numbering System (16 Series)

= Most Popular



NOTE: When selecting from the options columns, please enter letters in alphabetical order for positions 6, 7, and 8. For example:

P 1 6 - 0 2 - H 0 0

B

Filters, Regulators, Lubricators